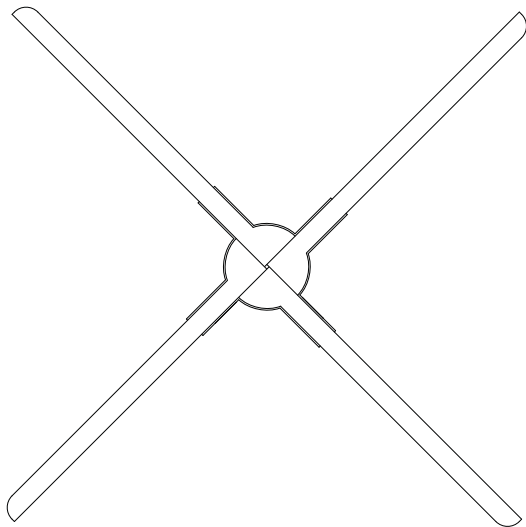


# 3D Holographic



User Manual

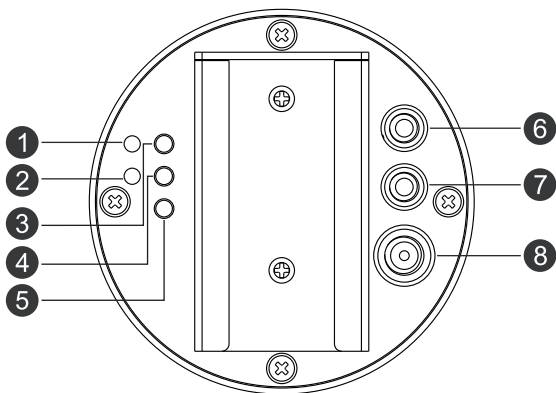
## Attention

1. The device should be kept distance from barrier. Install first before turn on the device, in order to prevent the blade from scratching others and damaging the device blades.
2. Keep distance when the device is working. Keep safety when install it high above the ground.
3. When the device is working, do not disassemble the device, or plug in/out TF card, otherwise it may cause abnormal operation on the device.
4. Keep away from high temperature and high humidity environment. Don't not use it outdoor if it's raining.
5. Pay attention to maintenance and clean the device regularly.

## Device list

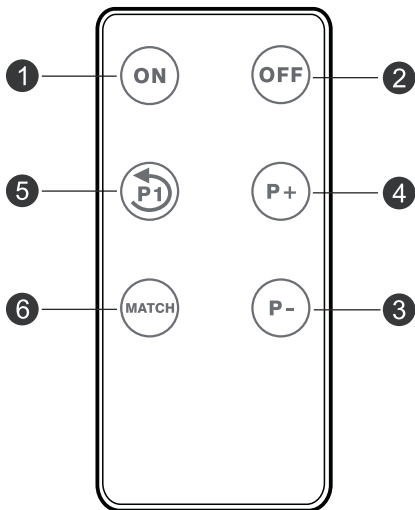
No.	Item	Quantity
1	3D Hologram Fan	1
2	Adaptor	1
3	Remote Controller	1
4	Wall-mounting Part	1
5	Setscrew	2
6	Warranty Card	1
7	Certification Card	1
8	User Manual	1

# Connector



- 1 Indicator light1: Indicates status and operation of power, mode, and match
- 2 Indicator light2: Indicates status and operation of cloud connect and restoration
- 3 Mode key: Switch mode
- 4 Match key: Match remote controller
- 5 NET: Device Reset
- 6 SYN Out: Output synchronizing signal
- 7 SYN IN: Input synchronizing signal
- 8 Power connector: Connect with Adaptor to supply power for the device

# Remote Controller

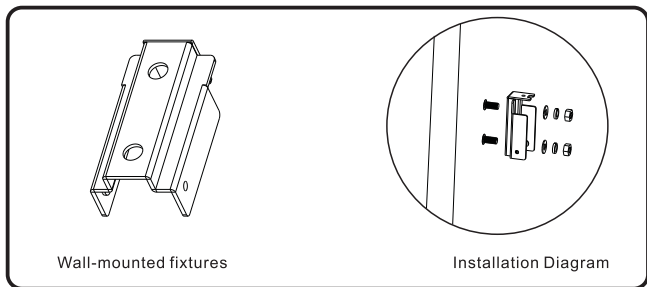


- ① ON : Start Device
- ② OFF : Stop Device
- ③ P - : Switch to the previous program, if go to the first program, then switch to the last program
- ④ P + : Switch to the next program , if go to the last program ,then switch to the first program.
- ⑤ P1: Switch to the first program.
- ⑥ MATCH : Match remote controller.

# How to Install

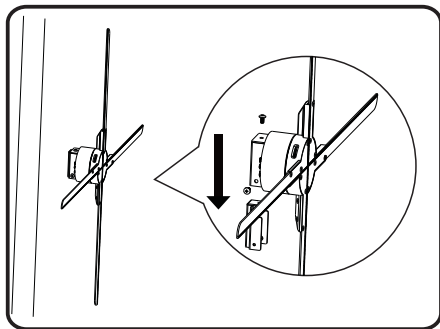
## 1 Install fixed part

First fix the fixed part to the wall with expansion screws or ordinary screws to facilitate the subsequent installation of the device. As below picture .



## 2 Instructions

Put device into fixed part , lock the screws to finish install. As picture



# How to Use

## 1 After installation, connect the power supply

---

Please use the power adapter to connect the device to the power socket after installation, then the device is in the standby state. You can see that the LED on the fan blades illuminate in a looping manner and then turn off. The indicator light 1 on the back of the device is solid red. (If the red light and the fan LED are not lit, please check the power supply. If the fan LED is on and the red light is off, the device is in slave mode. For details, please refer to "Mode Switch" below).

## 2 Match remote controller

---

When the device is in the standby status (not rotating), press the MATCH button on the back of the device, the indicator light 1 changes from red to green. At this time, use the remote controller to align the device, press the "Match" button on the remote controller, and the green light flashes faster. Restore red, the matching is successful.

## 3 Switching machine

---

Use the remote controller to align the device, press "ON" on the remote controller, the indicator light 1 on the back of the device will switch from red to green. After 1~2 seconds, the device will rotate. Use the remote controller to align the device, press "OFF" on the remote controller, the indicator light 1 on the back of the device switches from green to red, and the device speed becomes slow until it stops rotating.

## 4 Switch content

---

Use the remote controller to align the device, press "P+" on the remote controller to switch to the next program, press "P-" to switch to the previous program, and press "P1" to switch to the first program.

## 5 Switch mode

---

There are two working modes of the device, master mode and slave mode.

### ■ Master mode

Use to send instructions when one device works alone or multiple devices work together.

### ■ Slave mode

Use to receive commands and forward commands when multiple devices are linked to work. The slave mode device cannot display the program separately, and must receive the host's command to display it. The remote controller cannot be controlled in slave mode.

### (A)Switch mode

When the device is in standby, press and hold the MODE button on the back, the indicator light 1 will switch from red to blue, indicating that the device has switched to slave mode. When the device is in slave mode, press and hold the MODE button on the back, the indicator light 1 will turn from blue to red, indicating that the device has switched to the host mode.

### (B)Device linked mode

The steps for displaying multiple device link network are as follows: Firstly press MODE button to setting all device to slave mode (indicator is blue);

Secondly use wire to link networks (connect according to link description)

Thirdly select any device , then double-click MATCH button to setting host MODE.

If the indicator light 1 turns red, the master mode is set success fully.

If the indicator light 1 flashes purple, the master mode setting fails.

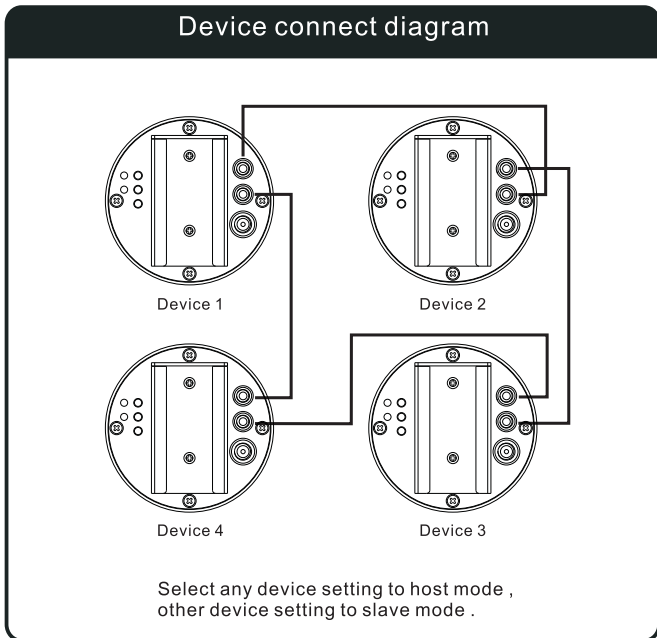
In this case, you need to press and hold the MATCH button to return to the slave mode, check all connection wires of the device and then repeat the third step.

After setting up the master and slave, turn on the device, the host indicator 1 lights up in blue, and the slave indicator 1 lights up in light blue.



## Link description:

The syn out interface of device 1 linked to the syn in interface of device 2, then linked from the syn out interface to the syn in interface of device 3 and linked from the syn out interface to the syn in interface of device 4 , finally linked from the syn out interface to the syn in interface of device 1 , as shown below picture:



If there are more devices, the link way is the same. When multiple devices linked, only one device is in master mode, and other devices are in slave mode. Devices that have been linked to the network will maintain their own master-slave mode. If the power is turned off, the settings will not be changed.

## 6 Editing Play Program

---

The play program on the device can be edited through the mobile phone software APP. Functions that can be edited include program download, play order, number of plays, and program deletion. For more detailed operation, please refer to the software configuration below.

## 7 Restoration

---

Press and hold the net button and release it. When the indicator 2 flashes green for about 3 seconds, then release the button and the device will reset and restart.

## 8 Collision Protection

---

If sufficient force is detected at the rotating end of the device, it will be forcibly stopped, the indicator light 2 will flash green, and all functions will no longer be used. If there is a network connected device, it will also be forced to stop. In this case, you can reset it by pressing and holding the net button, or power it on again.

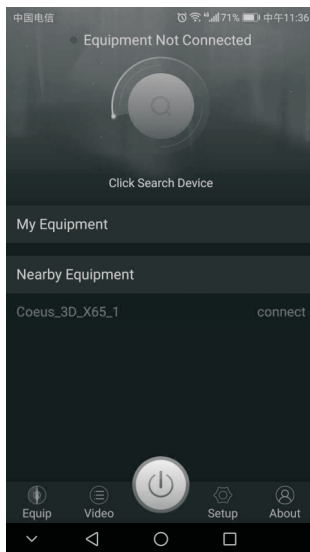
# Software Configuration

## 1 Download software

Log on to the official website or search the IOS store for 3D Magic, find the relevant product software to download online, or contact the distributor to get it.

## 2 Install software

After downloading the software, follow the installation instructions to install it. After installation, open the following image.

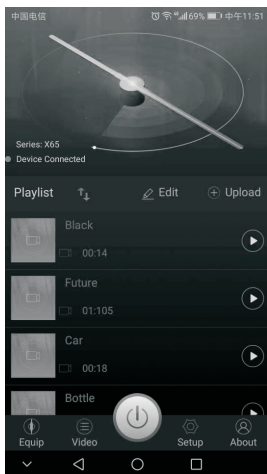


### 3 Connect the device

---

After the device power on will set up hotspot WIFI, turn on the mobile phone wireless function, and search the hotspot start with CS , such as CS\_X65\_XXXXXX. Then input password CSXXXXXX(XXXXXX represents six numbers). Connect to this hotspot (There is hotspot name and password on the device).

Open the softw are after successfully connect to the hotspot. Click “Video” to refresh the playlist and it shows device connect successfully, as following interface:



\*If fail to connect, please check if the hotspot connection is working properly, or re-power the device, try to reconnect the hotspot and open the software.

### 4 Switching device

---

After connect successfully, click the round power button on the software to turn on the device to rotate or stop the rotation.

## 5 Program editing operation

---

- A) Add a program: After clicking, pop up the selection box, select the created video or picture, modify the name and click OK, wait for the progress bar to finish running, and the corresponding file name appears in the list, indicating that the addition is successful.
- B) Move up, down: Click "edit", long-press program to move up or down
- C) Delete: Click "edit", Select the program and click "Delete" to delete the program.

## 6 Other operation

---

Click "Settings" to adjust the volume, brightness, angle, set the program playback mode, power on and start, breath light switch, restore factory settings (including volume adjustment, MP3 and speakers).

## FAQ

1. After the power is connected, the LED on the fan blade is not working or the indicator on the back is not working.  
Solution: Check if the power supply is connected and the line is normal.
2. The light on the back is blue.(single piece)  
Solution: Check if it enters the slave mode, long press the button on the back to restore the master mode.
3. The light on the back is purple.(multi pieces as matrix)  
Solution: Long press the MODE button to return the master mode ,or long press MATCH button to return slave mode.
- 4.The light on the back is white.  
Solution: Power-off and restart
5. Rotate the display with a monochrome circle  
Solution: Individual LED lights may damage, please contact the supplier for repair.
6. Rotate to display "SD card error"  
Solution: Please stop the rotation and check if the SD card is plugged in well.
7. Unable to start rotation  
Solution: Please contact the supplier.

## Specification

Video,picture Format	jpg,jpeg,png,gif,mp4,avi,rmvb,mkv,wmv,mov,flv
Working Temperature	-15°C — 50°C
Working relative humidity	<=80%
LED quantity	720
Speed	720RPM
Lift-span	>30000h
Voltage	100V-240V 50-60Hz
Power consumption	48W
Length	65cm
Net Weight	650g