

User Manual

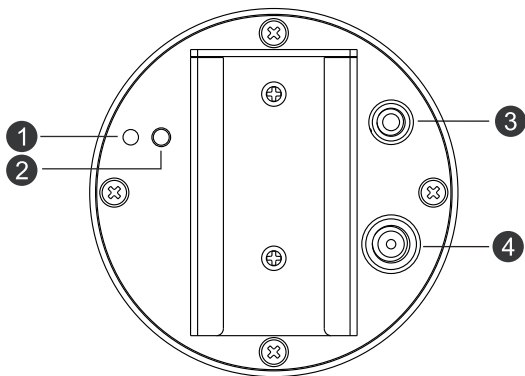
Attention

1. The device should be kept distance from barrier. Install first before turn on the device, in order to prevent the blade from scratching others and damaging the device blades.
2. Keep distance when the device is working. Keep safety when install it high above the ground.
3. When the device is working, do not disassemble the device, or plug in/out TF card, otherwise it may cause abnormal operation on the device.
4. Keep away from high temperature and high humidity environment. Don't not use it outdoor if it's raining.
5. Pay attention to maintenance and clean the device regularly.

Device list

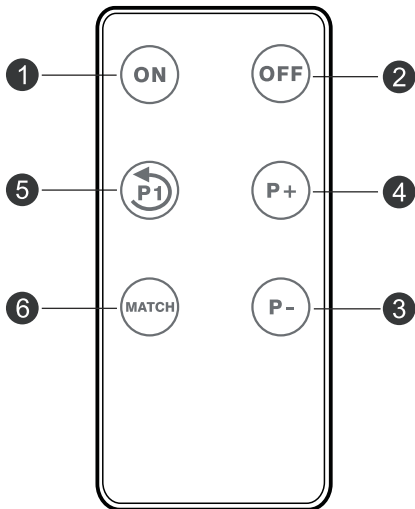
No.	Item	Quantity
1	3D Hologram Fan	1
2	Adaptor	1
3	Remote Controller	1
4	Wall-mounting Part	1
5	Setscrew	2
6	Warranty Card	1
7	Certification Card	1
8	User Manual	1

Connector



- ① Indicator light1: Indicates status and operation of power, mode, and match
- ② Match key: Match remote controller, turn on/off Cloud and WIFI.
- ③ SYN Out: Output synchronizing signal
- ④ Power connector: Connect with Adaptor to supply power for the device

Remote Controller

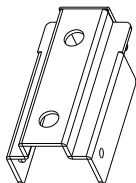


- ① ON : Start Device
- ② OFF : Stop Device
- ③ P - : Switch to the previous program, if go to the first program, then switch to the last program
- ④ P + : Switch to the next program , if go to the last program ,then switch to the first program.
- ⑤ P1: Switch to the first program.
- ⑥ MATCH : Match remote controller.

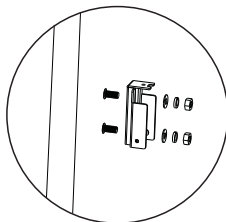
How to Install

1 Install fixed part

First fix the fixed part to the wall with expansion screws or ordinary screws to facilitate the subsequent installation of the device. As below picture .



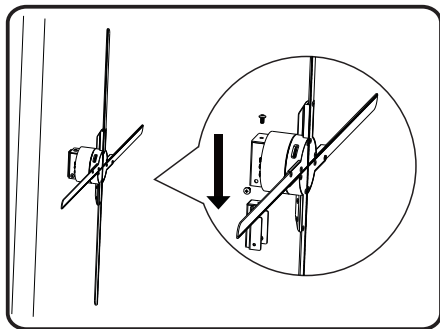
Wall-mounted fixtures



Installation Diagram

2 Instructions

Put device into fixed part , lock the screws to finish install. As picture



How to Use

1 After installation, connect the power supply

Please use the power adapter to connect the device to the power socket after installation, then the device is in the standby state. You can see that the LED on the fan blades illuminate in a looping manner and then turn off. The indicator light 1 on the back of the device is solid red. (If the red light and the fan LED are not lit, please check the power supply)

2 Match remote controller

When the device is in the standby status (not rotating), press the MATCH button on the back of the device, the indicator light 1 changes from red to green. At this time, use the remote controller to align the device, press the "Match" button on the remote controller, and the green light flashes faster. Restore red, the matching is successful.

3 Switching machine

Use the remote controller to align the device, press "ON" on the remote controller, the indicator light 1 on the back of the device will switch from red to green. After 1~2 seconds, the device will rotate. Use the remote controller to align the device, press "OFF" on the remote controller, the indicator light 1 on the back of the device switches from green to red, and the device speed becomes slow until it stops rotating.

4 Switch content

Use the remote controller to align the device, press "P+" on the remote controller to switch to the next program, press "P-" to switch to the previous program, and press "P1" to switch to the first program.

5 Editing Play Program

The play program on the device can be edited through the mobile phone software APP. Functions that can be edited include program download, play order, number of plays, and program deletion. For more detailed operation, please refer to the software configuration below.

6 Cloud

Devices can access cloud servers and manage devices and materials. For how to connect to the cloud, please refer to the cloud online guide.

7 Turn on/off WIFI

Long press "MATCH" key for 3 seconds to enter Cloud mode; Long press again "MATCH" key for 3 seconds to enter WIFI mode. In WIFI mode, single press "MATCH" key to turn on or off WIFI. If there is no operation in 1 minute, the device to turn back to normal mode. If turn off WIFI, indicator light 1 will twinkle in red and wathet blue; If turn on WIFI, indicator light 1 will be in red. (WIFI mode is default)

8 Turn on/off Bluetooth

Use APP on smart phone to turn on or off Bluetooth function.

9 Reset to default

Long press "MATCH" key for 10+ seconds to reset to default. Indicator light 1 will twinkle in different colors and then turn to red, means that reset is accomplished.

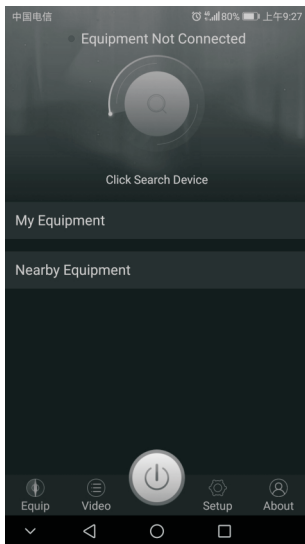
Software Configuration

1 Download software

Go to the official website or Apple Store to search “3D magic”, find the relevant product software and download it online, or contact the product supplier.

2 Install software

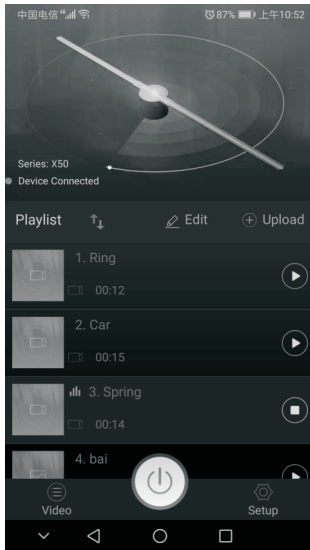
After downloading the software, follow the installation instructions to install it. After installation, open the following image.



3 Connect the device

After the device power on will set up hotspot WIFI, turn on the mobile phone wireless function, and search the hotspot start with Coeus, such as CS_X50_ xxxxxx. Then input password CS123456. Connect to this hotspot. (There is hotspot name and password on the device).

Open the softw are after successfully connect to the hotspot. Click “Video” to refresh the playlist and it shows device connect successfully, as following interface:



*If fail to connect, please check if the hotspot connection is working properly, or re-power the device, try to reconnect the hotspot and open the software.

4 Switching device

After connect successfully, click the round power button on the software to turn on the device to rotate or stop the rotation.

5 Program editing operation

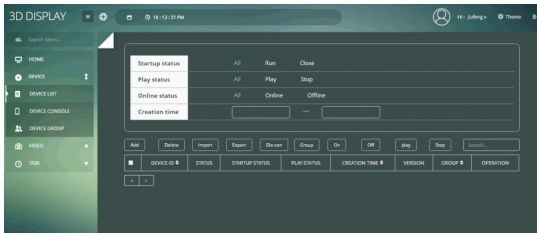
- A) Add a program: After clicking, pop up the selection box, select the created video or picture, modify the name and click OK, wait for the progress bar to finish running, and the corresponding file name appears in the list, indicating that the addition is successful.
- B) Add a program: After clicking, pop up the selection box, select the created video or picture, modify the name and click OK, wait for the progress bar to finish running, and the corresponding file name appears in the list, indicating that the addition is successful.
- C) Delete: Click "edit", Select the program and click "Delete" to delete the program.

6 Other operation

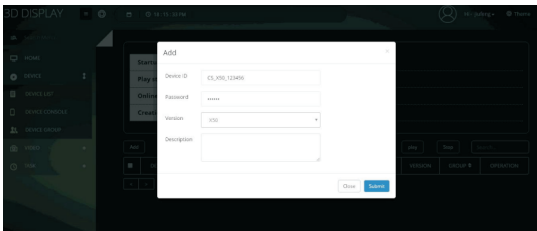
Click "Settings" to adjust the volume, brightness, angle, Bluetooth, set WIFI password, set the program playback mode, power on and start, breath light switch, restore factory settings.
(including volume adjustment, audio module or bluetooth speaker)

Cloud online guide

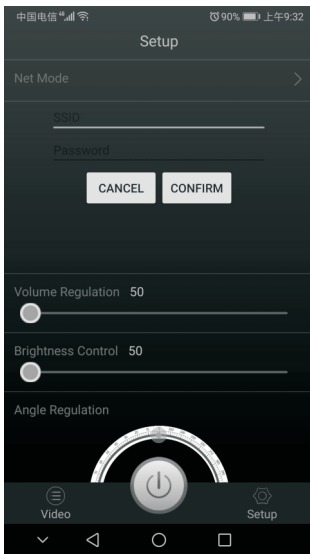
1. Long press “MATCH” key for 3 seconds to enter Cloud mode. In Cloud mode, single press “MATCH” key to turn on/off Cloud management, indicator 1 with purple light means Cloud off, twinkle with purple light means Cloud on. Without operation for 1 minute, the device will turn back to normal mode, if turn on Cloud, indicator will twinkle in red and purple light; If turn off Cloud, indicator 1 is in red. (Default is Cloud off)
2. Log in to the cloud home page, Device Management -> Device List -> Add.



3. Input the device number, password, and save. (The device number and password are obtained through the mobile app)



4. Open the mobile APP and connect the device WIFI, Settings -> Network Settings -> Input the router WIFI account + password -> OK -> Exit APP.



5. The connection is successful, and the status of the corresponding device in the cloud becomes online.

Note: If you have successfully connected to the cloud, subsequent connections require only the first step.

FAQ

1. After the power is connected, the LED on the fan blade is not working or the indicator on the back is not working.

Solution: Check if the power supply is connected and the line is normal.

2. The light 1 on the back is white

Solution: Power-off and restart

3. Rotate the display with a monochrome circle

Solution: Individual LED lights may damage, please contact the supplier

4. Unable to start rotation

Solution: Please contact the supplier.

Specification

Video,picture Format	jpg,jpeg,png,gif,mp4,avi,rmvb,mkv,wmv,mov,flv
Working Temperature	-15°C — 50°C
Working relative humidity	<=80%
LED quantity	512
Display resolution	512x512
Speed	720RPM
Lift-span	>30000h
Voltage	100V-240V 50-60Hz
Average power consumption	24W
Maximum power consumption	65W
Length	46cm
Net Weight	520g